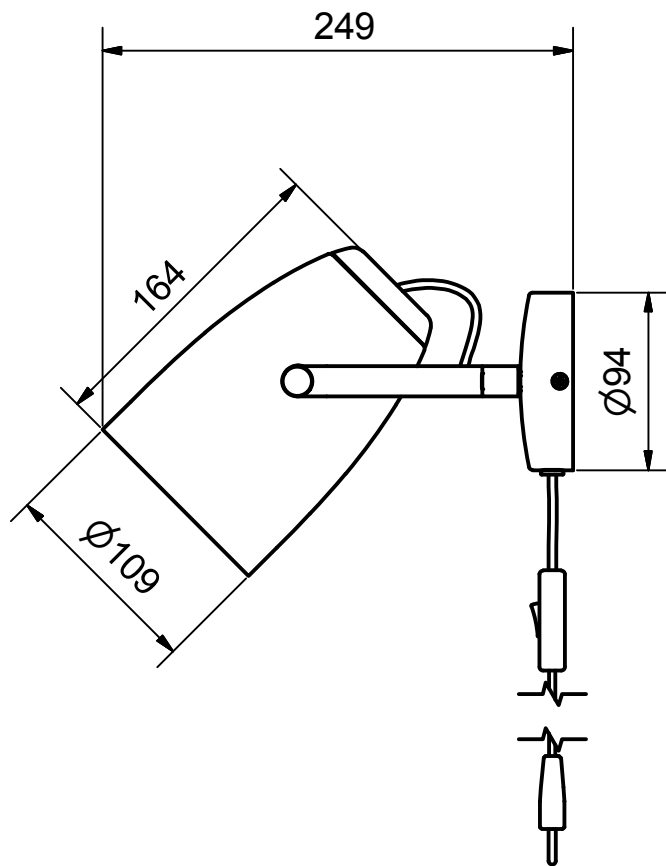



This drawing remains our property and should not be copied without our written allowance. Nor is it permitted to show or give this to a third person. Contravention will be prosecuted with the support of the existing law.



Benämning		Vägglampa E27		Modellbeteckning		AGENT	
 BELID <i>Since 1969</i> SE-432 95 VARBERG, Sweden Phone +46 340 62 30 00 Fax +46 340 62 30 27		Material		Konstruerad av	Ritad av	JC	
		Dimension		Skala	Datum	2015-04-13	
		Area mm2	Vikt kg	Ritnings.nr.			
		0,79 kg		V-5060 måttskiss			